

Getting Started with MQTT

Eclipse M2M Webinars

Webinar #3

September 27, 2012

Webinar Presenters

- Ian Craggs
 - icraggs@uk.ibm.com
- Dave Locke
 - locke@uk.ibm.com

Agenda

- What is MQTT and Why use it
- MQTT Java API walk through
- Getting started with MQTT and Paho
- MQTT topologies and simulation
- Some real world examples
- Further reading

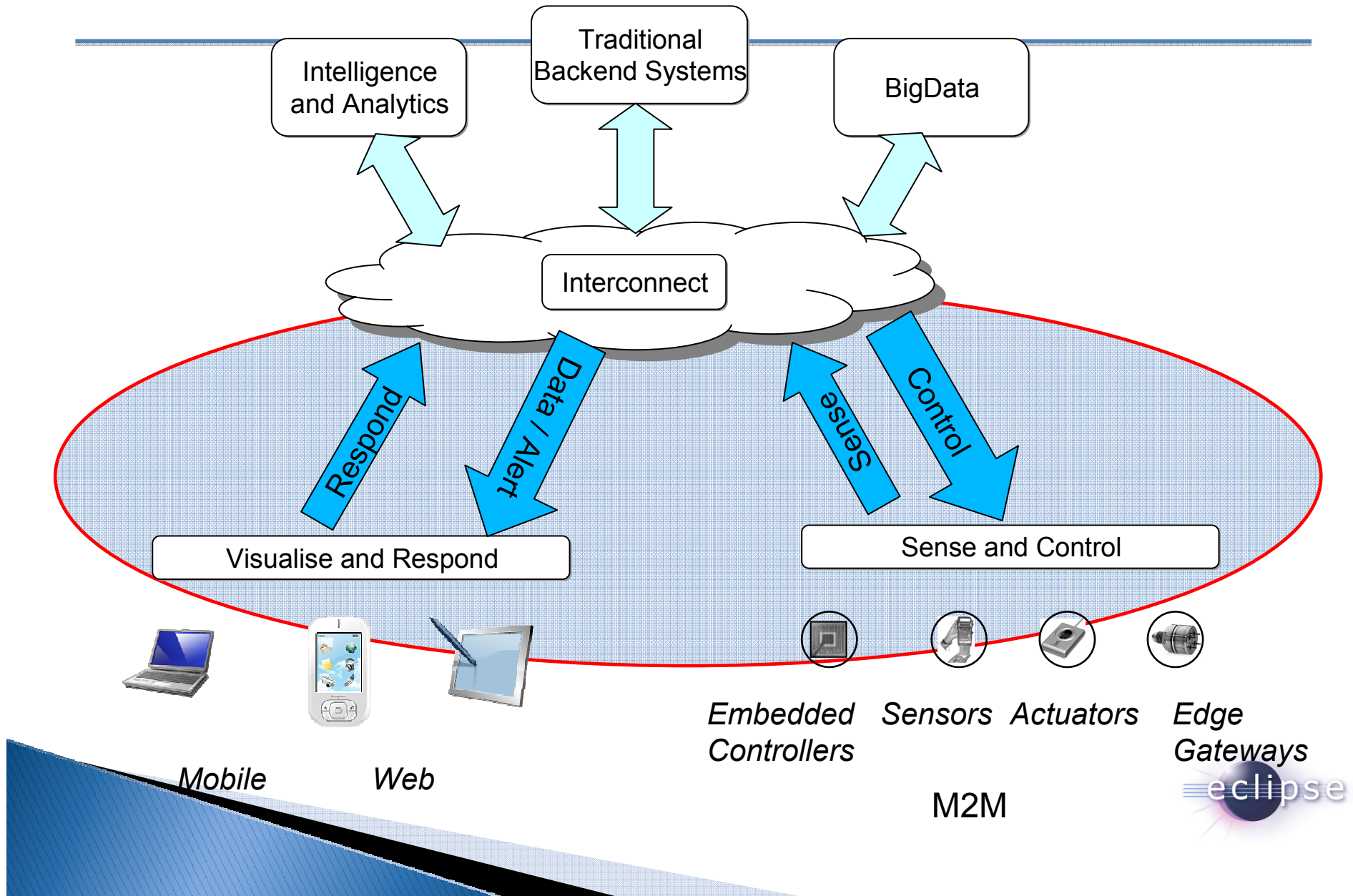
MQTT in a Nutshell

- MQTT == MQ Telemetry Transport
- In a nutshell

“A light weight event and message oriented protocol allowing devices to asynchronously communicate efficiently across constrained networks to remote systems”



The Realm of MQTT

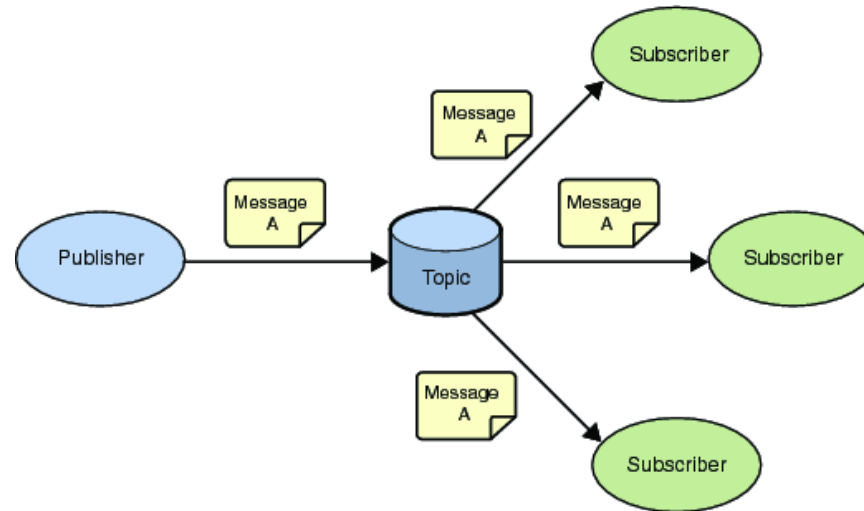


Background to MQTT / Original Design Goals

- To make it simple to connect the M2M (physical) world to the traditional IT world
- Expect and cater for frequent network disruption – built for *low bandwidth, high latency, unreliable, high cost* networks (cost per byte)
- Expect that client applications may have very limited resources available (8 bit controller, 256kb ram)
- Provide loose coupling to support dynamic system environments where high volumes of physical world messages and events need to be made available to enterprise servers and other consumers in ways that may not have been originally anticipated.
- Provide multiple deterministic message delivery qualities of service to reflect tradeoffs between bandwidth, availability, and delivery guarantees
- Capable of supporting large numbers of devices (10k MQTT clients)
- Simple for application developers and implementers of the protocol
- Publish the protocol for ease of adoption by device vendors and third-party client software enabling support for a proliferation of platforms, technologies and networks that are driven by very diverse equations of cost, technology and physical constraints.
- To be industry agnostic



MQTT - Publish Subscribe Messaging aka One to Many



A Publish Subscribe messaging protocol allowing a message to be published once and multiple consumers (applications / devices) to receive the message providing decoupling between the producer and consumer(s)

A producer sends (publishes) a message (publication) on a topic (subject)

A consumer subscribes (makes a subscription) for messages on a topic (subject)

A message server / broker matches publications to subscriptions

- If no matches the message is discarded
- If one or more matches the message is delivered to each matching subscriber/consumer

MQTT - Publish Subscribe Messaging aka One to Many



- A topic forms the namespace
 - Is hierarchical with each “sub topic” separated by a /
 - An example topic space
 - A house publishes information about itself on:
 - `<country>/<region>/<town>/<postcode>/<house>/energyConsumption`
 - `<country>/<region>/<town>/<postcode>/<house>/solarEnergy`
 - `<country>/<region>/<town>/<postcode>/<house>/alarmState`
 - `<country>/<region>/<town>/<postcode>/<house>/alarmState`
 - And subscribes for control commands:
 - `<country>/<region>/<town>/<postcode>/<house>/thermostat/setTemp`
- A subscriber can subscribe to an absolute topic or can use wildcards:
 - Single-level wildcards “+” can appear anywhere in the topic string
 - Multi-level wildcards “#” must appear at the end of the string
 - Wildcards must be next to a separator
 - Cannot be used wildcards when publishing
 - For example
 - `UK/Hants/Hursley/SO212JN/1/energyConsumption`
 - Energy consumption for 1 house in Hursley
 - `UK/Hants/Hursley/+/+/energyConsumption`
 - Energy consumption for all houses in Hursley
 - `UK/Hants/Hursley/SO212JN/#`
 - Details of energy consumption, solar and alarm for all houses in SO212JN



MQTT - Publish Subscribe Messaging aka One to Many



- A subscription can be durable or non durable
 - Durable:
 - Once a subscription is in place a broker will forward matching messages to the subscriber:
 - Immediately if the subscriber is connected
 - If the subscriber is not connected messages are stored on the server/broker until the next time the subscriber connects
 - Non-durable: The subscription lifetime is the same as the time the subscriber is connected to the server / broker

- A publication may be retained
 - A publisher can mark a publication as retained
 - The broker / server remembers the last known good message of a retained topic
 - The broker / server gives the last known good message to new subscribers
 - i.e. the new subscriber does not have to wait for a publisher to publish a message in order to receive its first message



Use on Constrained Networks

- Designed for constrained networks:
 - Protocol compressed into bit-wise headers and variable length fields.
 - Smallest possible packet size is 2 bytes
 - Asynchronous bidirectional “**push**” delivery of messages to applications (**no polling**)
 - Client to server and server to client
 - Supports always-connected and sometimes-connected models
 - Provides Session awareness
 - Configurable keep alive providing granular session awareness
 - “Last will and testament” enable applications to know when a client goes offline abnormally
 - Typically utilises TCP based networks e.g. Webscokets
 - Tested on many networks – vsat, gprs, 2G....
- Provides multiple deterministic message delivery qualities of service
 - 0 – message delivered at most once.
 - 1 – message will be delivered but may be duplicated
 - 2 – once and once only delivery
 - *QOS maintained over fragile network even if connection breaks*



Constrained Device

- Designed for constrained devices:
 - Suited to applications / devices that may have limited resources available
 - 8 Bit controllers upwards
 - Battery
 - Multiple MQTT client implementations available in many form factors / languages
 - Tiny footprint MQTT client (and server) libraries e.g. a c client lib in 30Kb and a Java lib in 64Kb



Open and Easy to use

- The MQTT specification is open and royalty free for ease of adoption
 - <http://www.ibm.com/developerworks/webserices/library/ws-mqtt/index.html>
- Is industry agnostic
 - Move a payload / data / event for any form of data
- Many implementations from enterprise scale fully supported through open source and hobbyist
 - See <http://mqtt.org> for full details
- API is simple to use via small set of well defined verbs



Benefits of MQTT verses HTTP

- Push delivery of messages / data / events
 - MQTT – low latency push delivery of messages from client to server and **server to client**
 - Helps bring an event oriented architecture to the web
 - HTTP – push from client to server but poll from server to client
- Efficient use of network
 - For an M2M project the number of bytes with MQTT was **137130 bytes per device per month** with HTTP the number of bytes was **801000 bytes per device per month**
- Reliable delivery over fragile network
 - MQTT will deliver message to QOS even **across connection breaks**
- Decoupling and publish subscribe – **one to many delivery**

		3G		Wifi	
		HTTPS	MQTT	HTTPS	MQTT
receive	messages / hour	1,708	160,278	3,628	263,314
	% battery / msg	0.01709	0.00010	0.00095	0.00002
	msgs (note losses)	240 / 1024	1024 / 1024	524 / 1024	1024 / 1024
send	msg / hour	1,926	21,685	5,229	23,184
	% battery / msg	0.00975	0.00082	0.00104	0.00016

Source: <http://stephendnicholas.com/archives/1217>

Connect

First step is to create an MqttClient object

- Specify optional persistence store, URI and ClientID
- ClientID must be unique for the broker it is connecting to

```
MqttClientPersistence persistence = new MqttDefaultFilePersistence("/tmp");  
MqttClient client = new MqttClient("tcp://localhost:1883", "MQTTSub", persistence);
```

Then specify connection options, and connect!

- Keep alive of 480 seconds
- A retained publication Will message with QoS of 1

```
MqttConnectOptions opts = new MqttConnectOptions();  
opts.setKeepAliveInterval(480);  
opts.setWill(client.getTopic("WillTopic"), "Something bad happened".getBytes(), 1, true);  
client.connect(opts);
```

Create a message and Publish

Create a message

- Message properties allow it to be set as a retained publication and what the QoS needs to be
- Message payload is always a byte array

```
MqttMessage msg = new MqttMessage("My Message".getBytes());  
msg.setRetained(true);  
msg.setQos(2);
```

To send a message

- Get a topic object and publish
- The returned DeliveryToken is used to determine when delivery is complete

```
MqttTopic topic = client.getTopic("Fruit/Grape/Red");  
MqttDeliveryToken token = topic.publish(msg);
```

Setup callback

Messages are delivered via a callback mechanism

- This is also used to indicate when the connection is broken and a publish has completed

```
client.setCallback(new MqttCallback() {  
    public void messageArrived(MqttTopic topic, MqttMessage message)  
        throws Exception {  
    }  
    public void deliveryComplete(MqttDeliveryToken token) {  
    }  
    public void connectionLost(Throwable cause) {  
    }  
});
```


Subscribe for messages

After connecting, subscribe by providing the topic string:

- Messages will then be delivered to the callback

```
client.subscribe("Fruit/#");
```

Can subscribe to multiple topics at the same time, and provide QoS levels:

```
client.subscribe(new String[]{"MyTopic", "Fruit/#"}, new int[]{2, 1});
```

To stop receiving messages, unsubscribe.

```
client.unsubscribe(new String[]{"MyTopic", "Fruit/#"});
```

Java API : Further notes

To resume a previous session, set the clean session option to false

- Requires the application to use the same client identifier
- When false subscriptions are durable
- When true previous state and subscriptions are cleaned up at start and / or end of session and subscriptions are non-durable

```
opts.setCleanSession(false);
```

To cleanly disconnect

```
client.disconnect();
```

Eclipse Sandbox MQTT Server



- m2m.eclipse.org
 - port 1883 (standard MQTT port)
- Mosquitto (mosquitto.org)
 - An Open Source MQTT v3.1 Broker
 - Proposed as the MQTT server in Paho
- Avoid using simple client ids
 - Could clash with other users



Eclipse Paho Client View

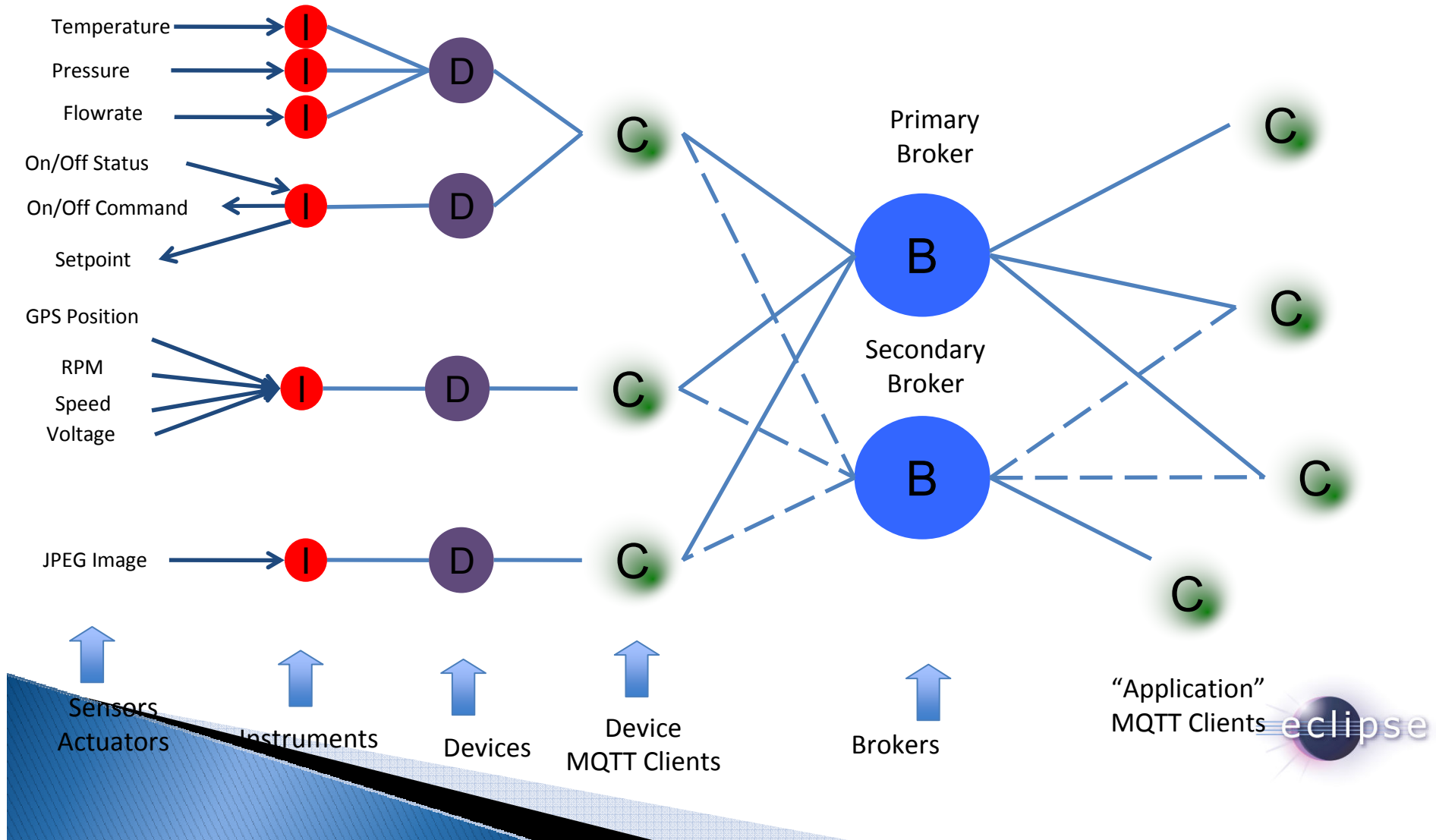
- Eclipse plugin to explore Paho Java client
 - Source is in Paho, installation instructions on <http://wiki.eclipse.org/Paho>
- Exercises MQTT functions:
 - connect/disconnect
 - publish/subscribe
 - Received messages shown in log

Demo time

Live demonstration of the Eclipse Paho (GUI)
client view tool.

Simulated Topologies

The reason for the MqGnatt utility is to provide a tool to create fairly complex representations of real world MQTT infrastructures. This is a topology diagram showing what a some typical configuration might provide.



Demo time

- Live demonstration of the mqgnatt
- As of 27th Sept 2012 mqgnatt is not available on Paho. There is a proposal to add it – watch this space.

MQTT technology

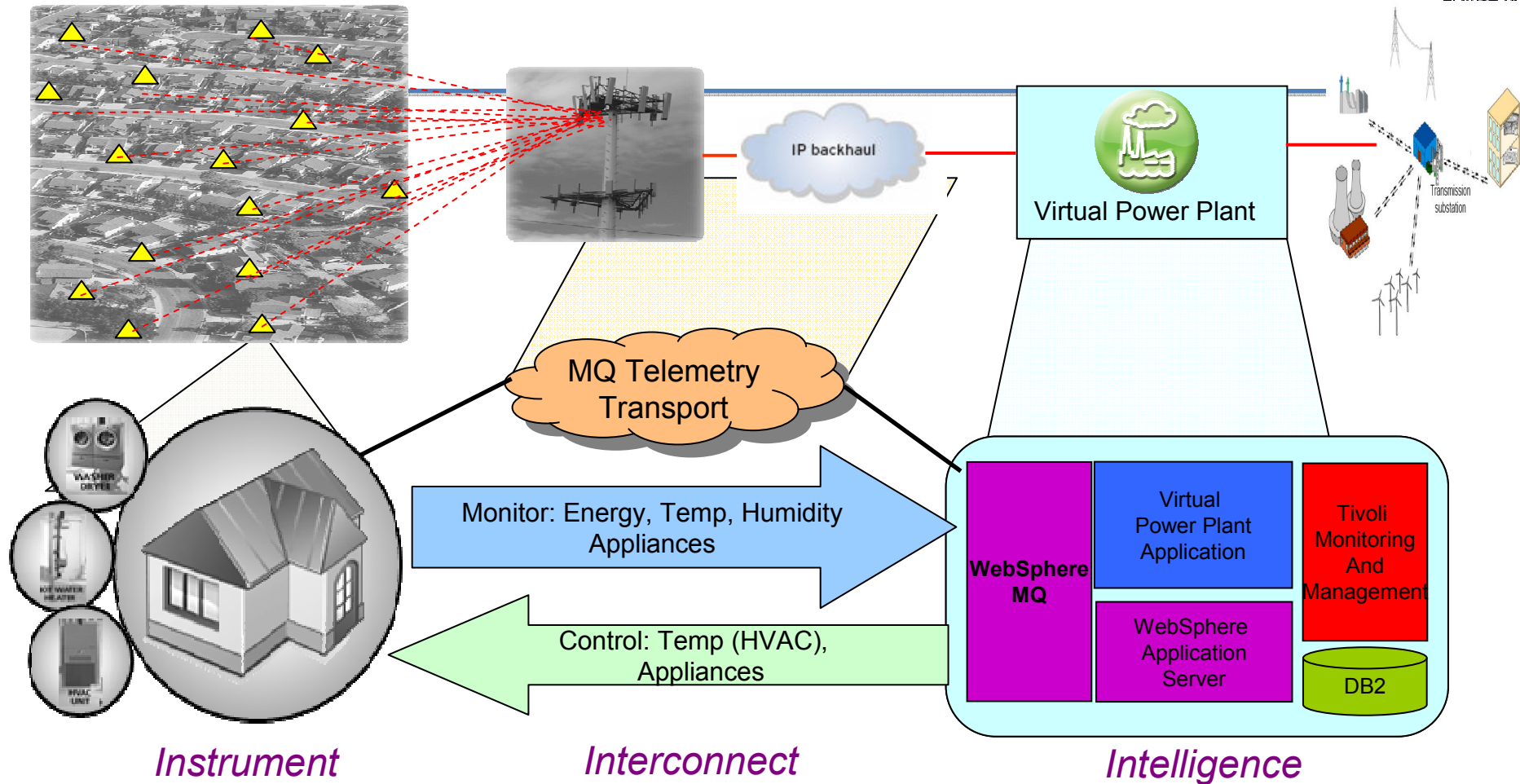
- In Paho
 - Java, C and Lua client libraries
 - Utilities
- Others client libraries outside Eclipse
 - Python, Perl, Ruby...
 - See <http://mqtt.org/software> for a list
- Server implementations
 - Also <http://mqtt.org/software>

Facebook Messenger

Lucy Zhang, a software engineer at Facebook, has written about their new [Facebook Messenger](#) app:

*“One of the **problems** we experienced was **long latency** when sending a message. The method we were using to send was reliable but **slow**, and there were **limitations** on how much we could improve it. With **just a few weeks** until launch, we ended up building a new mechanism that maintains a persistent connection to our servers. To do this without **killing battery life**, we used a protocol called **MQTT** that we had experimented with in Beluga. MQTT is specifically designed for applications like sending telemetry data to and from space probes, so it is **designed to use bandwidth and batteries sparingly**. By maintaining an MQTT connection and routing messages through our chat pipeline, we were able to often achieve **phone-to-phone delivery in the hundreds of milliseconds, rather than multiple seconds.**”*

A Virtual Power Plant with MQ Telemetry

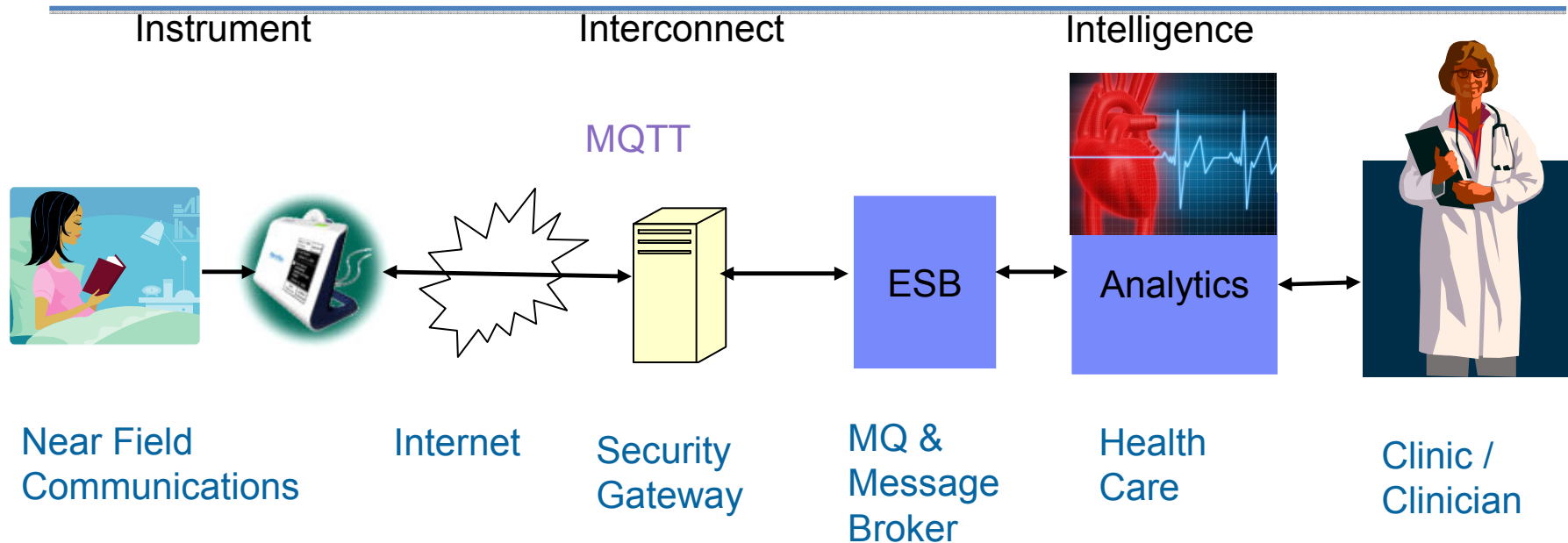


An Intelligent Utility Network

- Smart homes enabled with smart devices (HVAC, appliances...)
- Devices connect to a home gateway box via Zigbee or Homeplug
- Home gateway monitors devices collecting data that impacts energy usage
- Home gateway publishes energy data to Virtual Power Plant (VPP) every 5 mins over a mobile network
- VPP analyses real time data from all homes and other sources. When required it sheds load:
 - Publishing control commands to the home gateway of multiple homes
- Home gateway controls smart devices when instructed by VPP



Home Pace Maker Monitoring Solution



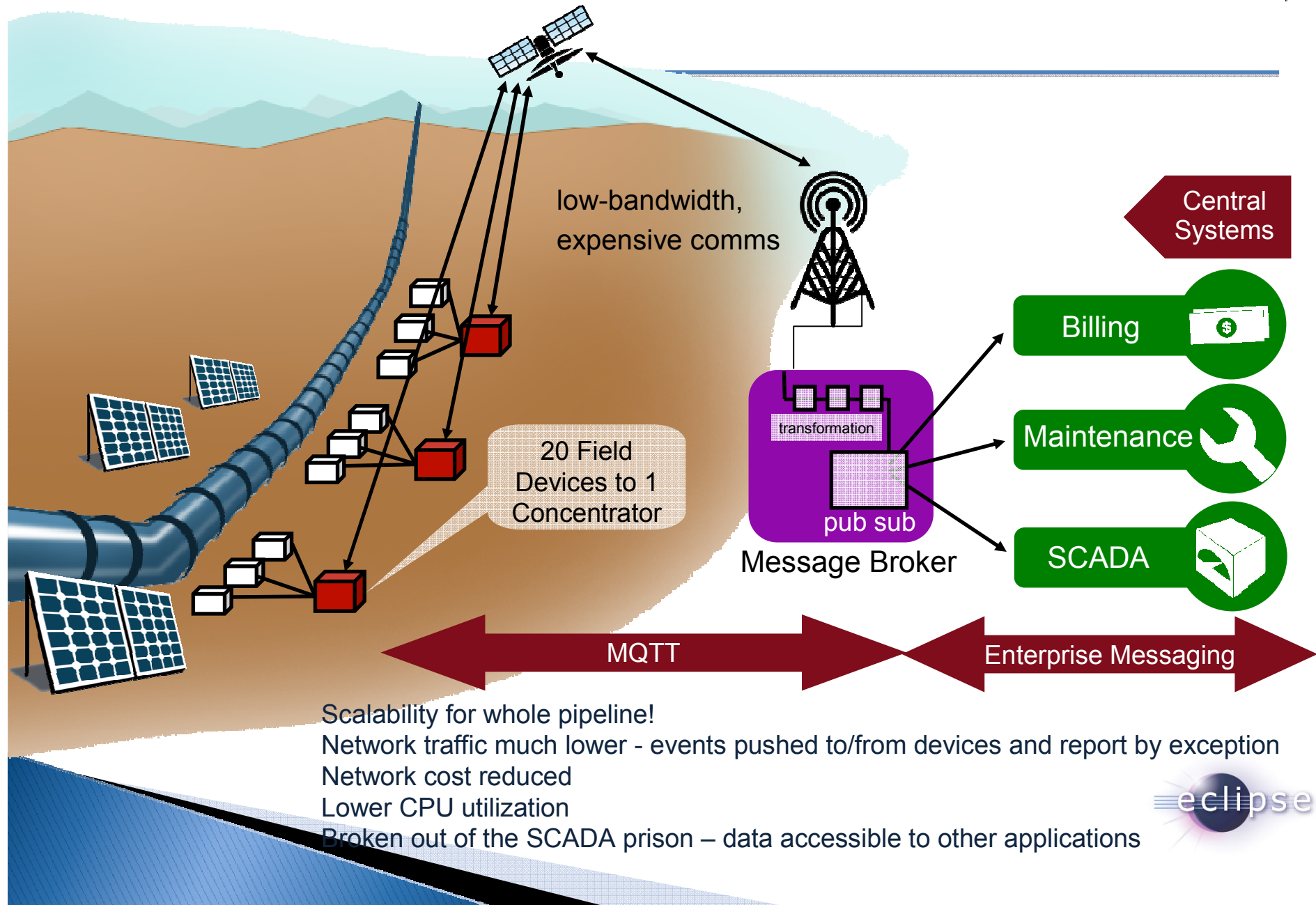
Monitor large numbers of patient's with pace makers in their home

- An MQTT client is embedded in the home monitoring appliance
- Collects diagnostics when patient is in close proximity and periodically dials health care provider
- Immediately dials if abnormality detected
- Runs over dial up and mobile networks which may be "old", very slow and fragile
- MQ/MB receives diagnostics and hands off to analytics application
- Analytics applications look for abnormalities and notifies clinician

Benefits

- Saves time, effort & money for the patient: there is no longer a need to visit the clinic on a fixed interval
- Peace of mind: problems are detected early preventing potentially life threatening incidents
- Clinicians time is better utilized: only patients with potential problems are seen

Enterprise to physical world solution with MQTT



Some areas where MQTT has been used:



POS
Kiosks



Slot Machines



Automotive/
Telematics



Environment &
Traffic Monitoring



Fire & Gas
Testing

Chemical
Detection



Asset tracking /
management



SCADA



Medical



Field Force
Automation



Home
Automation



eclipse
Railway

Further reading



- All things MQTT
 - <http://mqtt.org>
- MQTT Specification
 - <http://www.ibm.com/developerworks/webservices/library/ws-mqtt/index.html>
- Eclipse Paho
 - <http://www.eclipse.org/paho/>
- Eclipse M2M
 - <http://wiki.eclipse.org/Machine-to-Machine>
- MQTT: the Smarter Planet Protocol
 - <http://andypiper.co.uk/2010/08/05/mqtt-the-smarter-planet-protocol/>

Next Eclipse M2M Webinar
Webinar #4: **Developing with Lua**
Date: October 11, 2012, 11:00amET, 17:00CET

